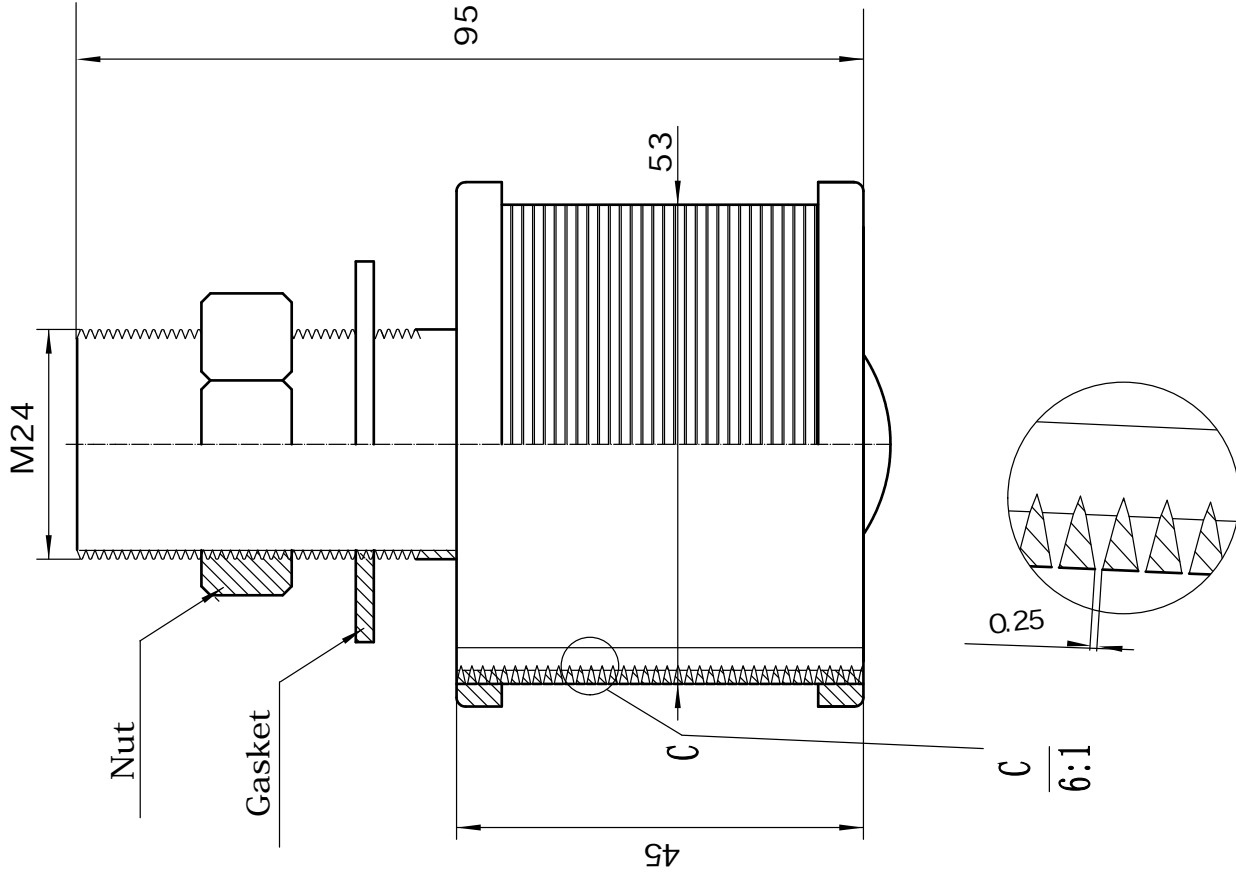


DESCRIPTION

Sand / Back Wash Filter Nozzle

Model : SB1224SS

Flow rate : 12 m³ / hr
Backwash flow rate : 24 m³ / hr
Material : 304 Stainless Steel
Slot Size : 0.25mm
Screen height : 45mm
Screen diameter : 53mm
Connectio thread length : 50mm
Thread : M32 with nut and gasket



All dimensions in mm.

1	17/03/2018	FOR FABRICATION	WE	DW
0	21/01/2018	FOR APPROVAL	VN	ET
REV	DATE	DESCRIPTION	CHECK	APPROVE

 **WILSON ENGINEERING (S) PTE LTD**

CUSTOMER :

PROJECT :

MODEL : SAND / BACK WASH NOZZLE

DRAWING TITLE : GENERAL ARRANGEMENT

PO REF : DOC. NO :

SHEET 1 OF 1 DWG NO : 0988

REV 0